

P-Series

PUSHBUTTON SWITCHES

These rugged pushbutton-type switches feature international approvals, ratings to 20A 125VAC and a heavy actuation force (3-5 lbs. typical) which makes this switch ideal for use as a “foot-pedal” switch. The metal bushing and plunger construction enables this alternate action switch to withstand the rigors of most any stringent pushbutton application.



Product Highlights:

- Rugged metal clad construction ideal for foot pedal applications
- Ratings to 20A 125VAC
- UL, CSA and TUV approvals
- Maintained On-Off or On-ON circuitry

Typical Applications:

- Vacuum Cleaners



Dielectric Strength

UL/CSA: 1000 - live to dead metal parts & opposite polarity
 TUV: 4000V - live to dead metal parts; 1250V - opposite polarity across open contacts

Electrical Life

50,000 cycles

Operating Temperature

0°F to 85°F (32°C to 85°C)

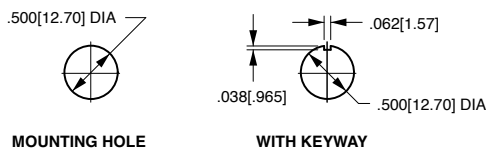
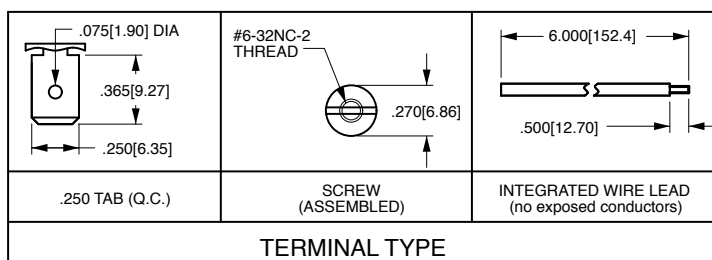
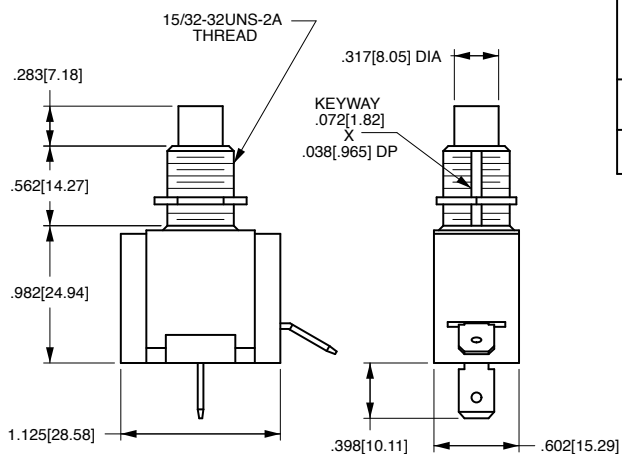
PA341

¹
 Part Number

1 PART NUMBER: SERIES / ACTUATOR / CIRCUITRY / RATING / TERMINATION

	.250 Tab	Screw Terms.	Wire Leads
10A 250VAC, 15A 125VAC, 3/4 HP 120-240 VAC ¹			
On-Off	PA341	PA344	PA345
On-On	PB341	PB344	PB345
10A 250VAC, 20A 125VAC, 1 1/2 HP 120-240 VAC ¹			
On-Off	PA301	PA304	PA305
On-On	PB301	PB304	PB305
10A 250VAC, 15A 125VAC, 10(6)a 250 VACu, T85 ²			
On-Off	PA951	PA954	PA955

Notes:
 1 Additional ratings available. Consult factory.
 2 UL, CSA & TUV approved.



*Manufacturer reserves the right to change product specification without prior notice.

Authorized Sales Representatives and Distributors

Click on a region of the map below to find your local representatives and distributors or visit www.carlingtech.com/findarep.



About Carling

Founded in 1920, Carling Technologies is a leading manufacturer of electrical and electronic switches and assemblies, circuit breakers, electronic controls, power distribution units, and multiplexed power distribution systems. With four ISO9001 and IATF16949 registered manufacturing facilities and technical sales offices worldwide, Carling Technologies Sales, Service and Engineering teams do much more than manufacture electrical components, they engineer powerful solutions! To learn more about Carling please visit www.carlingtech.com/company-profile.

To view all of Carling's environmental, quality, health & safety certifications please visit www.carlingtech.com/environmental-certifications

Worldwide Headquarters

Carling Technologies, Inc.
60 Johnson Avenue, Plainville, CT 06062
Phone: 860.793.9281 **Fax:** 860.793.9231
Email: sales@carlingtech.com

Northern Region Sales Office: nrsm@carlingtech.com
Southeast Region Sales Office: sersm@carlingtech.com
Midwest Region Sales Office: mrrsm@carlingtech.com
West Region Sales Office: wrsm@carlingtech.com
Latin America Sales Office: larsm@carlingtech.com

Asia-Pacific Headquarters

Carling Technologies, Asia-Pacific Ltd.,
Suite 1607, 16/F Tower 2, The Gateway,
Harbour City, 25 Canton Road,
Tsimshatsui, Kowloon, Hong Kong
Phone: Int + 852-2737-2277 **Fax:** Int + 852-2736-9332
Email: sales@carlingtech.com.hk

Shenzhen, China: shenzhen@carlingtech.com
Shanghai, China: shanghai@carlingtech.com
Pune, India: india@carlingtech.com
Kaohsiung, Taiwan: taiwan@carlingtech.com
Yokohama, Japan: japan@carlingtech.com

Europe | Middle East | Africa Headquarters

Carling Technologies LTD
4 Airport Business Park, Exeter Airport,
Clyst Honiton, Exeter, Devon, EX5 2UL, UK
Phone: Int + 44 1392.364422 **Fax:** Int + 44 1392.364477
Email: ltd.sales@carlingtech.com

Germany: gmbh@carlingtech.com
France: sas@carlingtech.com



Carling Technologies®

Innovative Designs. Powerful Solutions.