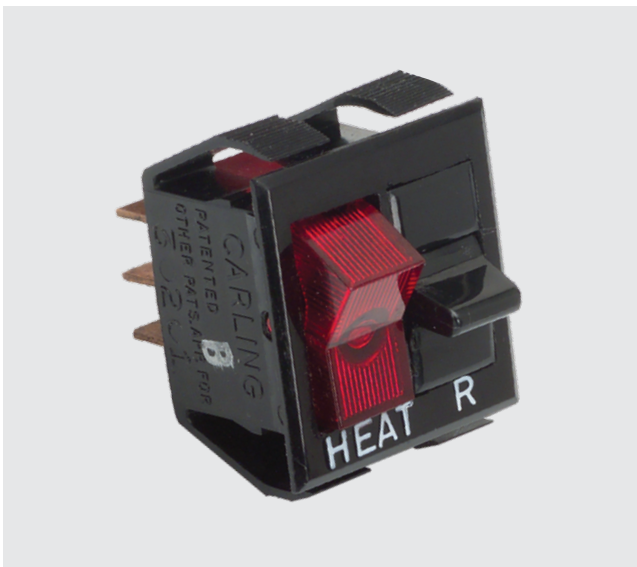


# TTG-Series

## ROCKER SWITCHES

The TTG-Series Mid-Sized Tippette snap-in rocker switches consist of two single pole illuminated or non-illuminated switches in a common base. Each pole can have the same or different switch function. These switches are AC rated up to 20 amps and are also suitable for low-voltage DC applications, in a wide range of markets.



### Product Highlights:

- Independent or Dependent Illumination
- Ratings up to 20 Amps
- Diamond or Long Line Lens Options
- Self-Cleaning Wiping Style Contacts

### Typical Applications:

- Appliance
- HVAC
- Food Service
- Transportation



### Dielectric Strength

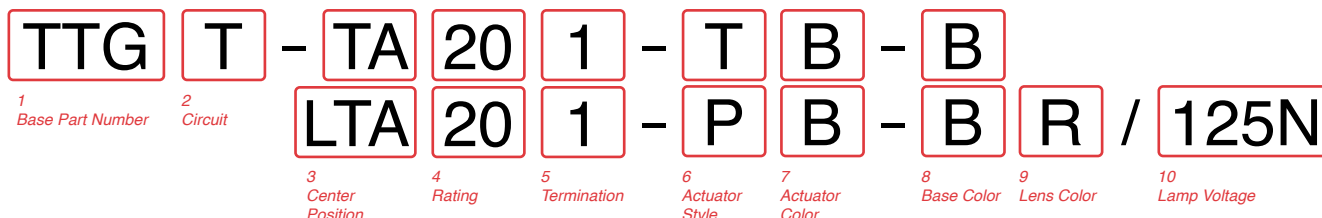
UL/CSA:  
1000V - live to dead metal parts

### Electrical Life

50,000 cycles - maintained  
25,000 cycles - momentary

### Operating Temperature

32°F to 185°F (0°C to 85°C)



**1 BASE PART NUMBER: SERIES**  
**TTG** Two Single Pole switches in one base

**2 CIRCUIT <sup>1</sup>**  
See Circuit Designation Chart

**3 BASIC SWITCH NUMBER**  
**TA** On-None-Off                      **TC** On-Off-On  
**TB** On-None-On                        **LTA** On-None-Off, Lighted

**4 RATING**  
**10** 5A 250VAC, 10A 125VAC, 1/2HP 125-250VAC  
**11** 5A 250VAC, 10A 125VAC, 5A 125VAC L  
**20** 10A 250VAC, 15A 125VAC, 3/4HP 125-250VAC  
**21** 10A 250VAC, 15A 125VAC  
**22** 10A 250VAC, 15A 125VAC, 20A 125-250VAC H, 3/4HP 125-250VAC

**5 TERMINATION / FUNCTION**

|               | Solder Lug | .250 Tab QC | .187 Tab QC | Wire Leads |
|---------------|------------|-------------|-------------|------------|
| On-None-Off   | 0          | 1           | 3           | 5          |
| (On)-None-Off | A          | B           | D           | F          |
| On-None-(Off) | L          | M           | R           | T          |
| On-None-On    | 0          | 1           | 3           | 5          |
| On-None-(On)  | A          | B           | D           | F          |
| On-Off-On     | 0          | 1           | 3           | 5          |

**6 ACTUATOR STYLE**  
**P** Paddle                                      **PS** Short Paddle  
**T** Rocker

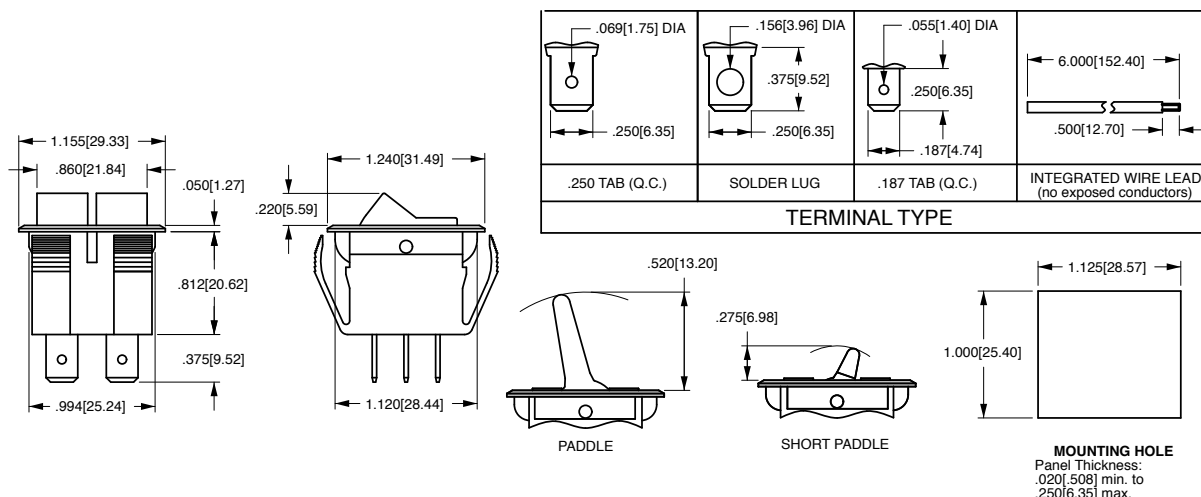
**7 ACTUATOR COLOR**  
**unlighted<sup>2</sup>**  
**B** Black                                      **lighted<sup>3</sup>**  
**W** White                                      **A** Amber  
**G** Green                                      **C** Clear  
**LU** Blue                                      **R** Red

**8 BASE COLOR <sup>2</sup>**  
**B** Black                                      **W** White

**9 LENS COLOR <sup>4</sup>**  
**A** Amber                                      **G** Green                                      **R** Red  
**C** Clear                                      **LU** Blue                                      **W** White

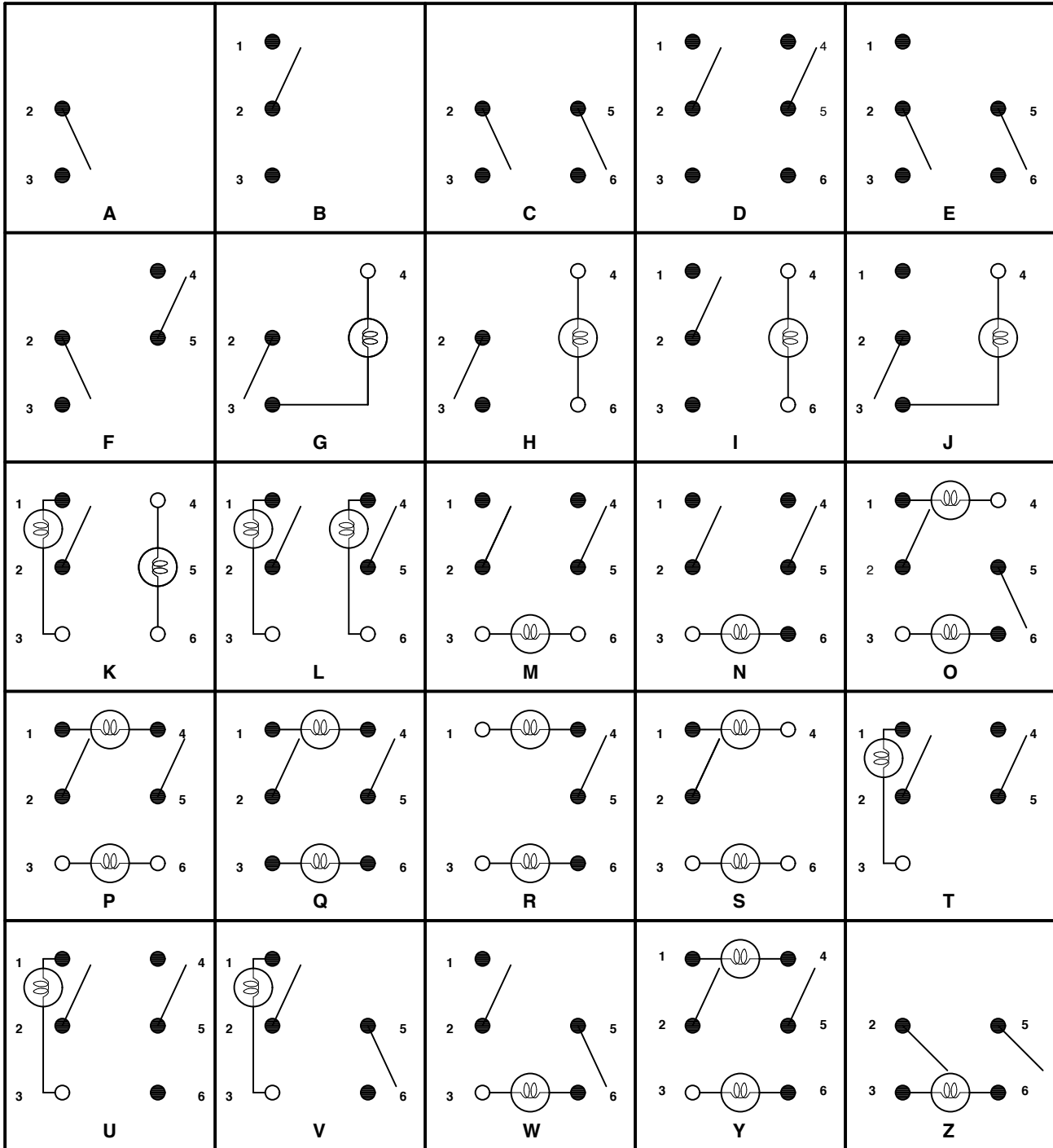
**10 LAMP VOLTAGE**  
**incandescent**  
**6V** 6 volt                                      **neon**  
**12V** 12 volt                                      **125N** 125 volt neon  
**18V** 18 volt                                      **250N** 250 volt neon  
**24V** 24 volt  
**28V** 28 volt

Notes:  
Imprinting is available. Consult factory.  
Panel Cut-Out Recommendations: For sheet metal panels, switch must enter panel in same direction as the punch. (Burr on bottom.) Test cut hole in actual material.  
1 TG available with circuits A, B, C, D, E, F, L, T, U  
G, H, I, J, M, N, P, Q, R, T, U, V, Y, Z.  
2 Custom colors are available. Consult factory.  
3 Specify lens color for LTA with rocker only.  
4 Specify lens color for LTA with paddle actuators only.  
(.) Indicates momentary function.



\*Manufacturer reserves the right to change product specification without prior notice.

### Circuit Designation Chart:



● CONTACT TERMINAL  
Will make contact with switching lever

○ ISOLATED TERMINAL  
Does not make contact with switching lever

● CONTACT TERMINAL AND SWITCH LEVER

○ BULB

## Authorized Sales Representatives and Distributors

Click on a region of the map below to find your local representatives and distributors or visit [www.carlingtech.com/findarep](http://www.carlingtech.com/findarep).



## About Carling

Founded in 1920, Carling Technologies is a leading manufacturer of electrical and electronic switches and assemblies, circuit breakers, electronic controls, power distribution units, and multiplexed power distribution systems. With four ISO9001 and IATF16949 registered manufacturing facilities and technical sales offices worldwide, Carling Technologies Sales, Service and Engineering teams do much more than manufacture electrical components, they engineer powerful solutions! To learn more about Carling please visit [www.carlingtech.com/company-profile](http://www.carlingtech.com/company-profile).

To view all of Carling's environmental, quality, health & safety certifications please visit [www.carlingtech.com/environmental-certifications](http://www.carlingtech.com/environmental-certifications)

## **Worldwide Headquarters**

Carling Technologies, Inc.  
60 Johnson Avenue, Plainville, CT 06062  
**Phone:** 860.793.9281 **Fax:** 860.793.9231  
**Email:** sales@carlingtech.com

**Northern Region Sales Office:** nrsm@carlingtech.com  
**Southeast Region Sales Office:** sersm@carlingtech.com  
**Midwest Region Sales Office:** mrrsm@carlingtech.com  
**West Region Sales Office:** wrsm@carlingtech.com  
**Latin America Sales Office:** larsm@carlingtech.com

## **Asia-Pacific Headquarters**

Carling Technologies, Asia-Pacific Ltd.,  
Suite 1607, 16/F Tower 2, The Gateway,  
Harbour City, 25 Canton Road,  
Tsimshatsui, Kowloon, Hong Kong  
**Phone:** Int + 852-2737-2277 **Fax:** Int + 852-2736-9332  
**Email:** sales@carlingtech.com.hk

**Shenzhen, China:** shenzhen@carlingtech.com  
**Shanghai, China:** shanghai@carlingtech.com  
**Pune, India:** india@carlingtech.com  
**Kaohsiung, Taiwan:** taiwan@carlingtech.com  
**Yokohama, Japan:** japan@carlingtech.com

## **Europe | Middle East | Africa Headquarters**

Carling Technologies LTD  
4 Airport Business Park, Exeter Airport,  
Clyst Honiton, Exeter, Devon, EX5 2UL, UK  
**Phone:** Int + 44 1392.364422 **Fax:** Int + 44 1392.364477  
**Email:** ltd.sales@carlingtech.com

**Germany:** gmbh@carlingtech.com  
**France:** sas@carlingtech.com



**Carling Technologies®**

Innovative Designs. Powerful Solutions.